



Installation Instructions

Toyota Corolla Verso

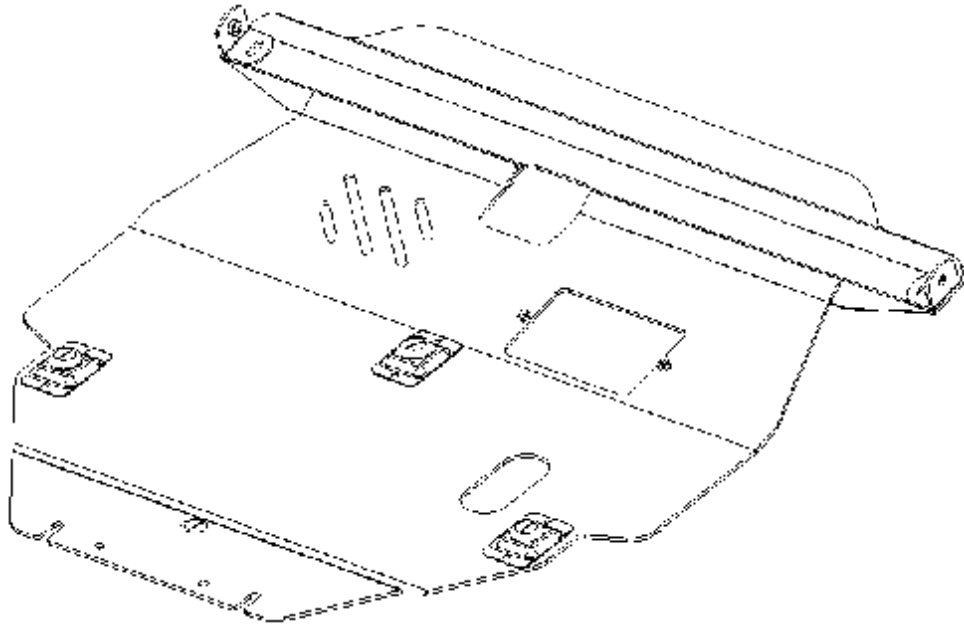
Under Run Protective Shield engine bay and transmission case



Model Year:	2005
Vehicle Code:	ZGR20L-GWFDPW ZGR21L-GWXDPW ZGR21L-GWFEPW ZGR21L-GWXEPW ZGR21L-GWXEPW
Part Number:	PZ4AL-07430-00
 Weight:	29.3 kg
 Installation Time:	20 min
Manual reference number:	AIM 000-862-1

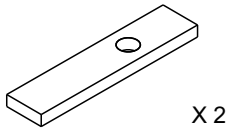
Part number: PZ4AL-07430-00

A

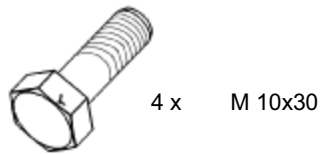


PZ4AL-07430-60

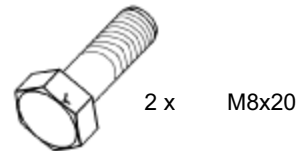
B



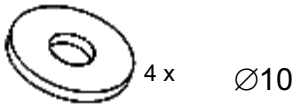
C1



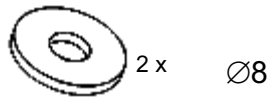
C2



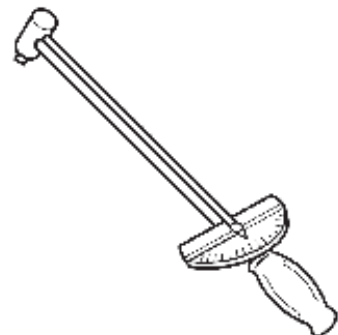
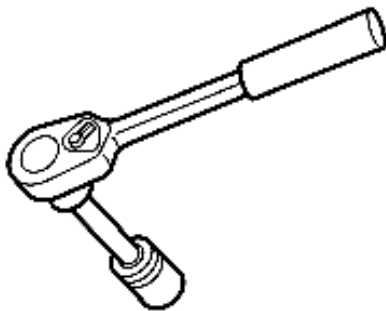
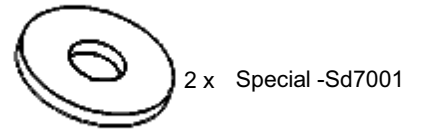
D1



D2



D3



Part number:
PZ4AL- 07430- 00

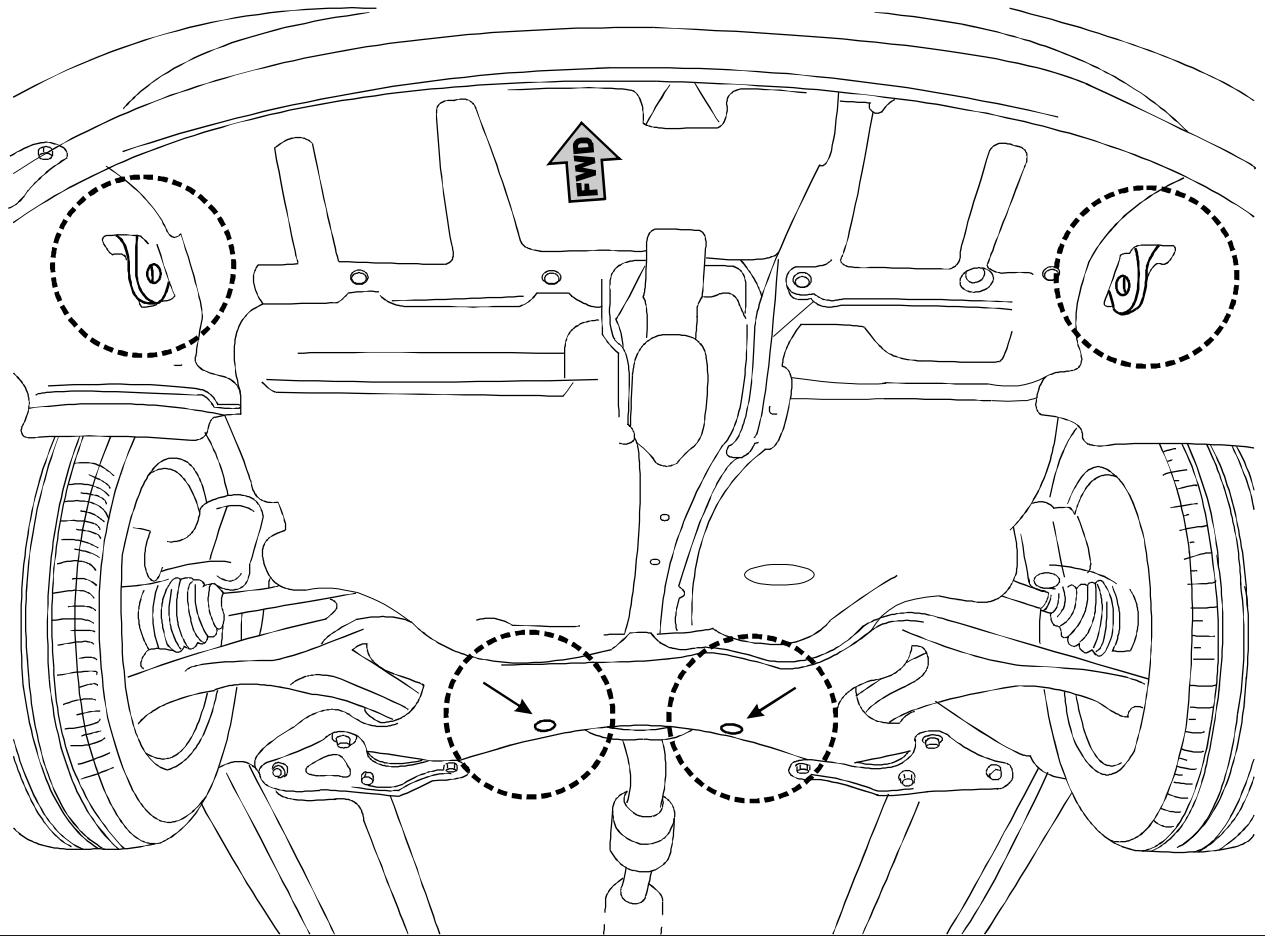
Issue:
0

Date:
19/12/06

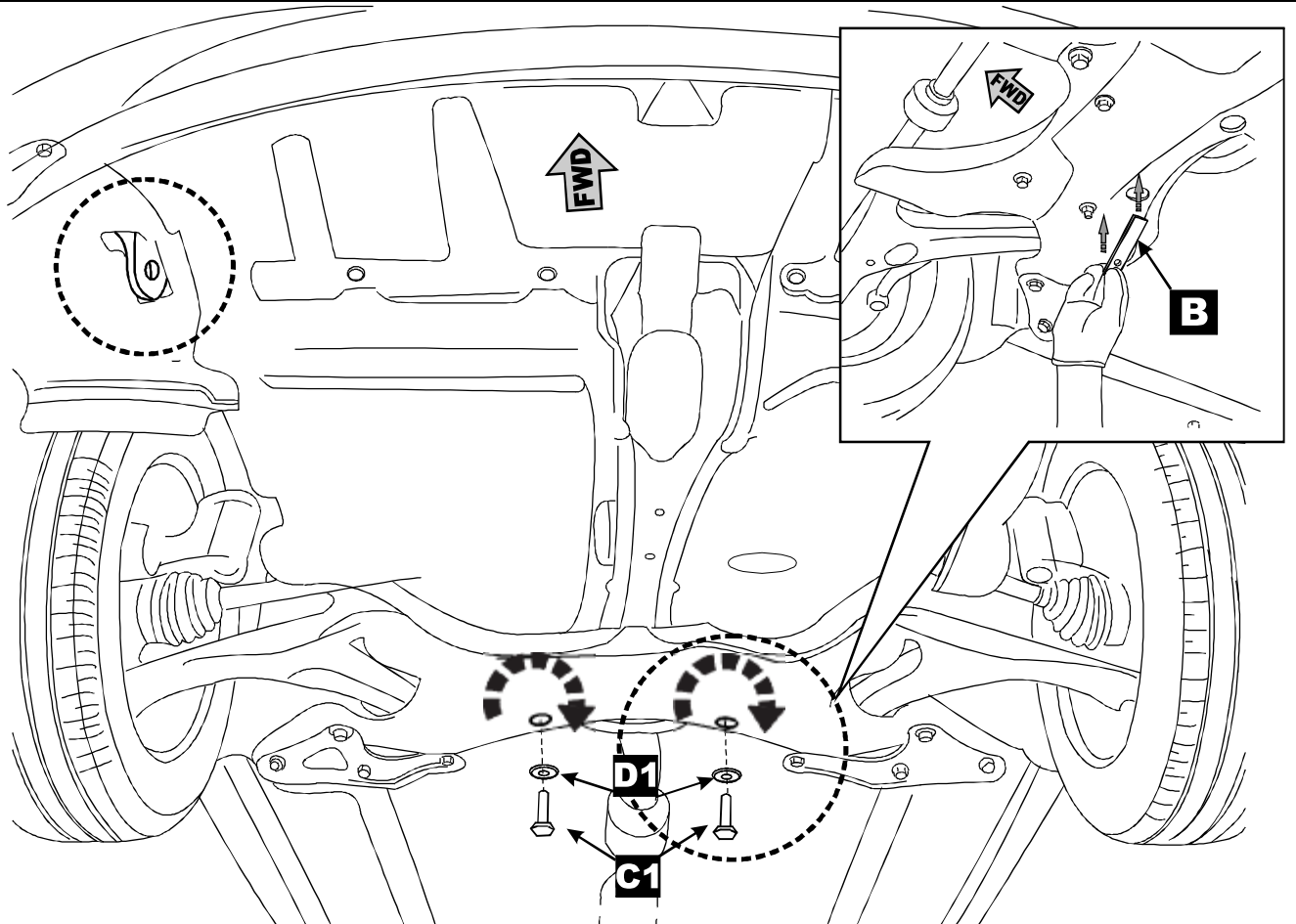
Manual reference number:
AIM 000-862-1

Page:
2/4

1



2



Part number:
PZ4AL- 07430- 00

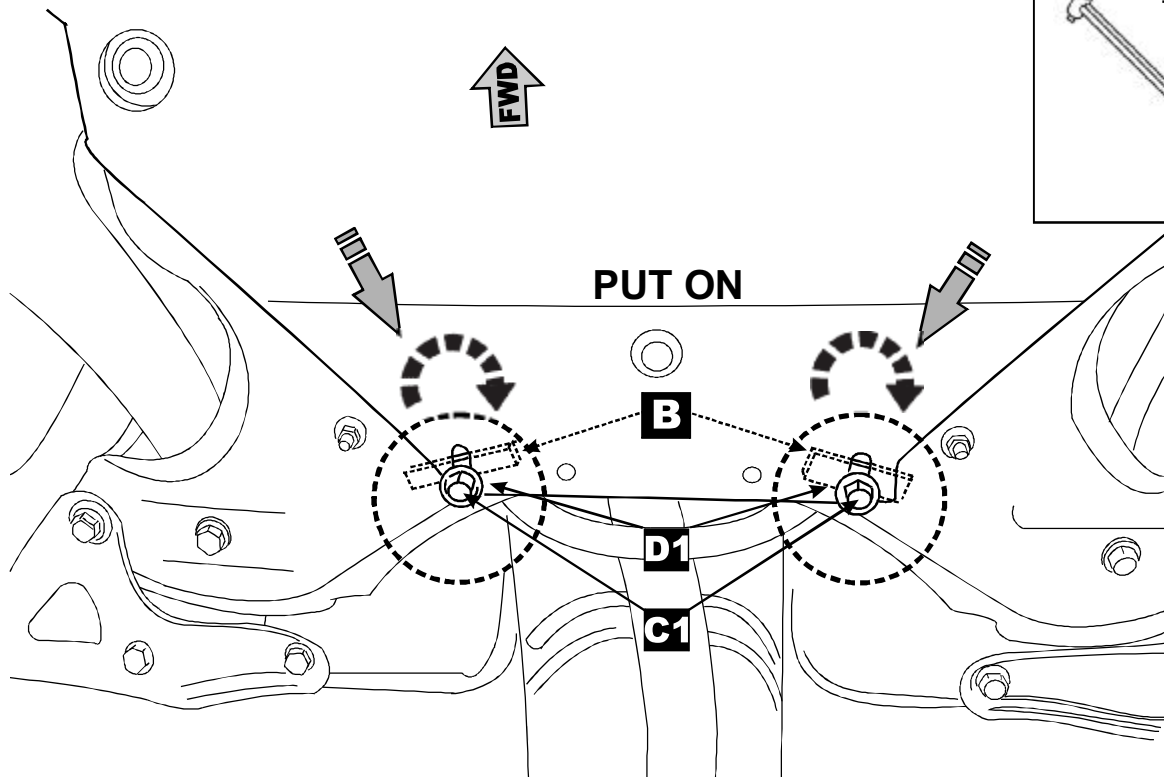
Issue:
0

Date:
19/12/06

Manual reference number:
AIM 000-862-1

Page:
3/4

3



4

